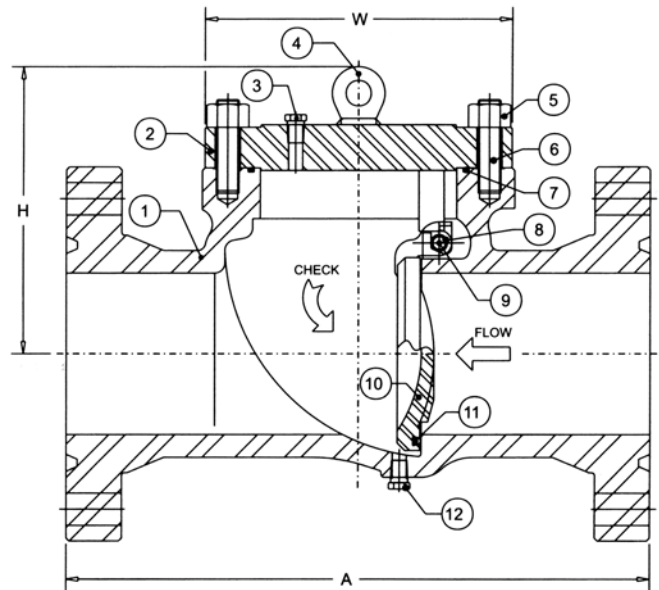




API 6A Flanged End - Fig. 52



API 6A Flanged Ends - Parts List

No.	Part	Material
1	Body ⁽¹⁾⁽⁸⁾	ASTM A-487-4C
2	Cover	AISI 4130/ASTM A-516 Gr. 70
3	Vent plug	AISI 4130
4	Lifting eye/lug ⁽²⁾	carbon steel
5	Cover nut ⁽³⁾⁽⁴⁾	ASTM A-194-2HM
6	Cover stud ⁽³⁾⁽⁴⁾	ASTM A-193-B7M
7	Cover seal ⁽⁵⁾⁽⁷⁾	HSN
8	Clapper bushing	stainless steel
9	Clapper pin	stainless steel
10	Clapper	ASTM A-105/A-350-LF2/A-351-CF8M/AISI 4130 A-487-4C (2 ¹ / ₁₆ to 7 ¹ / ₁₆) ASTM A-216-WCC/A-352-LCC (9" and larger)
11	Clapper Seal ⁽⁵⁾	HSN
12	Drain plug ⁽⁶⁾	AISI 4130

Notes:

- (1) For some larger sizes, valve body is manufactured with welded on flanges.
- (2) For valves 7¹/₁₆" and larger.
- (3) For low temperature service (-50°F), material for stud/nut will be ASTM-320-L7/A-194 Gr. 4.
- (4) For sour (NACE) service, material for stud/nut will be A-193-B7M/A-194-2HM for standard temperatures (-20°F) and ASTM A-320-L7M/A-194-7M for low temperatures (-50°F).
- (5) For sour (NACE) service, cover and clapper seal material will be Viton® or like material for standard temperatures.
- (6) Optional drain plug is for valves 7¹/₁₆" and larger.
- (7) 2¹/₁₆" API 10,000 and 15,000 valves utilize a metal-to-metal cover seal.
- (8) Standard body material will be AISI 4130 for 2¹/₁₆" API 15,000.

Viton is a registered trademark of DuPont Dow Elastomers



API 6A Flanged End - Fig. 52

Schedule of Dimensions

Valve Size in. (mm.)	API Rating	"A" in. (mm.)	"H" in. (mm.)	"W" in. (mm.)	Weight lbs. (kg.)
2 ¹ / ₁₆ (60.3)	2000	11.62 (295.1)	5.69 (144.5)	6.50 (165.0)	80 (36)
	3000	14.62 (371.3)	7.25 (184.2)	7.50 (190.4)	115 (52)
	5000	14.62 (371.3)	7.62 (193.5)	7.50 (190.4)	122 (55)
	10,000	20.50 (520.7)	10.50 (266.7)	9.50 (241.1)	156 (71)
	15,000	19.00 (482.6)	10.25 (260.4)	11.00 (279.4)	450 (204)
3 ¹ / ₈ (88.9)	2000	14.12 (358.6)	6.31 (160.3)	8.25 (209.4)	110 (50)
	3000	15.12 (384.0)	8.44 (214.4)	9.50 (241.1)	175 (79)
	5000	18.62 (472.9)	9.13 (231.9)	9.50 (241.1)	230 (104)
4 ¹ / ₁₆ (114.3)	2000	17.12 (434.8)	8.38 (212.9)	10.00 (253.8)	190 (86)
	3000	18.12 (460.2)	8.75 (222.3)	10.75 (272.8)	270 (122)
	5000	21.62 (549.1)	10.81 (274.6)	10.75 (272.8)	350 (159)
7 ¹ / ₁₆ (168.3)	2000	22.12 (561.8)	10.00 (253.8)	12.50 (317.3)	380 (172)
	3000	24.12 (612.6)	13.50 (342.9)	14.00 (355.3)	500 (227)
9 (219.1)	2000	26.12 (663.4)	12.38 (314.5)	15.00 (380.7)	625 (283)
	3000	29.12 (739.6)	15.75 (400.0)	16.00 (406.1)	800 (363)
11 (273.1)	2000	31.12 (790.4)	14.38 (365.3)	17.50 (444.2)	980 (445)
	3000	33.12 (841.2)	15.62 (396.7)	18.38 (466.5)	1200 (544)

Weight and dimensional information is for reference only and can be confirmed upon request at time of order.