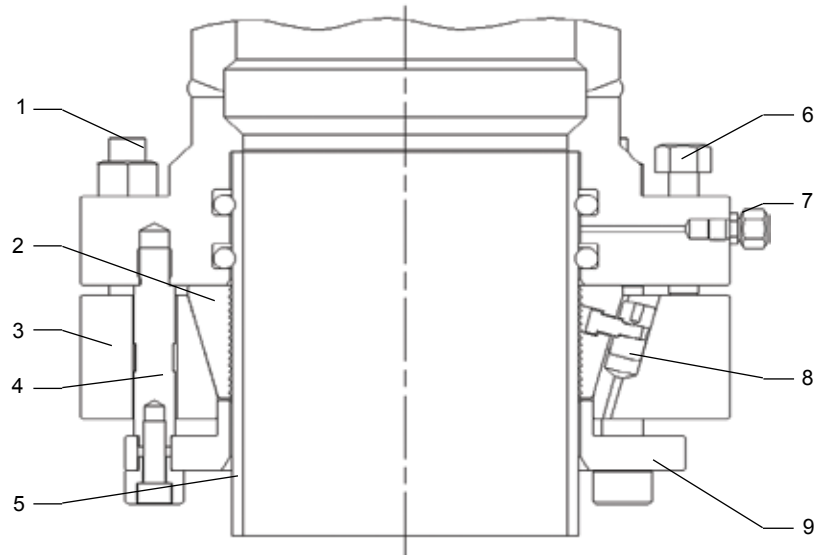


Type SL-1 Slip Lock Head



Type SL-1 Slip Lock Head Parts List

No	Part	No	Part
1	Energizing Stud	6	Disengagement Capscrew
2	Slip Segment	7	Test Fitting
3	Slip Housing	8	Guide Pin
4	Guide Rod	9	Retainer Ring
5	Casing		

The Type 'SL-1' Slip-Lock Connector is designed to connect a wellhead to a plain end surface casing using slip segments. It is an alternative to a slip-on weld connection, saving time during installation and removal. When the engagement bolts are tightened the slip segments mechanically engage the casing and hold the head from upward motion due to the internal pressure. The weight of the wellhead and suspended tubulars is supported

partially by the slips and partially by the casing top face. The seal between the wellhead and the casing is accomplished with two elastomeric seals. A test port provided between the seals allows for the pressure testing of the seal and emergency packing injection to prevent leaks. Separate cap screws are provided to disengage the slips and internal guide pins ensure that the slips will release the casing and allow for easy removal of the head.