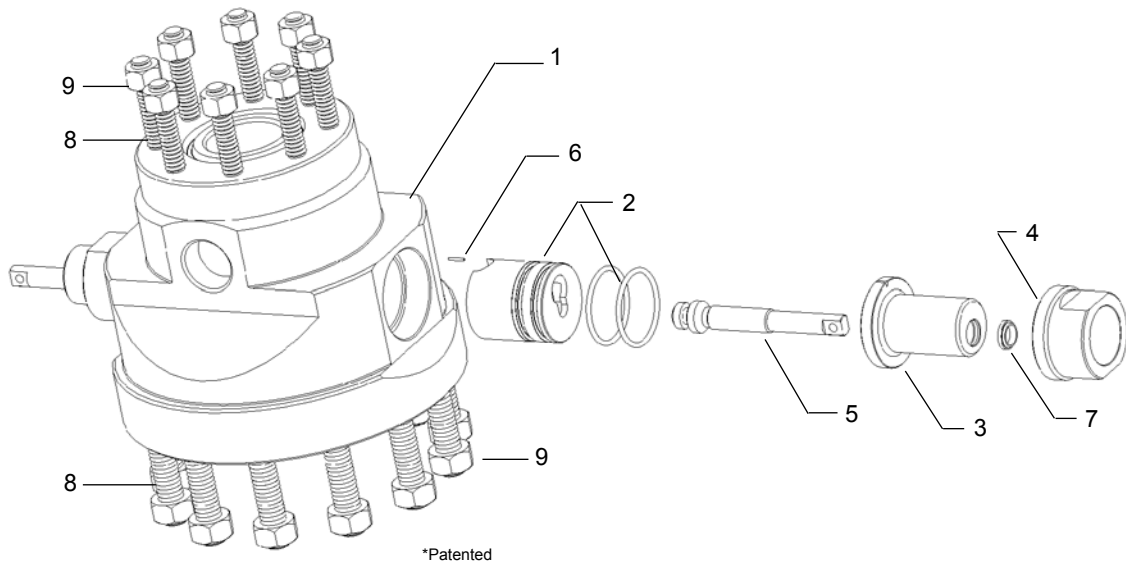


CPT Model R



API 6A CPT Model R* Parts List

No.	Part	Material
1	Body	AISI 4130
2	Ram Assembly	various ⁽¹⁾
3	End Cap	AISI 4130
4	End Cap Retainer Nut	AISI 4130
5	Ram Screw	AISI 4130/nitride hardened
6	Aligning Pin	Spring Material
7	Wiper Seal	Urethane
8	Stud	ASTM A-193/B7
9	Nut	ASTM A-194/2H

(1) See following page for Ram Options

Features:

- CPT is a combination tubing head adapter, BOP and flow tee
- solid compact design reducing overall height by as much as 50% providing easier access to top drive units above
- no connection between the BOP and tubing head adapter

Components:

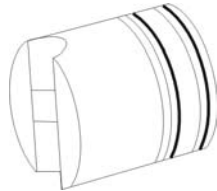
- Bottom Connection**
- generally a studded connection but is available flanged or clamp-hub type
 - the CPT may be provided with a box thread to suspend the production tubing or a pocket to accept the extended neck of a tubing hanger
- Top Connection**
- generally a studded connection with a box thread for handling but can be flanged or clamp-hub type
- Horizontal Outlets**
- allow for the production flow of the unit and are typically threaded but are available flanged, studded or clamp-hub type
- Rams**
- Types R, R1 and R2 as described on the following page



Crown Composite Pumping Tree

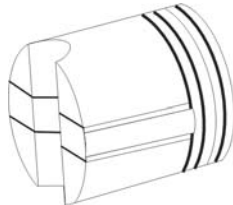
CPT Model R Ram Options

Type R Ram* (Low Pressure)



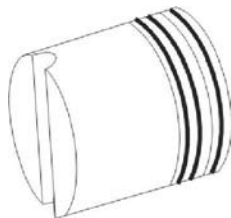
Pressure Rating	2000 psi Rate Working Pressure	
Auxiliary Seal (back seal)	Two O-Rings	
Polished Rod Sizes (Options)	Seals on specific diameters: 1", 1 1/8", 1 1/4" and 1 1/2"	
Construction	Steel Reinforced Body:	provides reduced extrusion gap, thus a more positive seal against ram bore
	Seal Element: NACE MR-01-75:	bonded to steel reinforcement Compliant
Sealing Material (Options)	NBR HSN/HNBR FKM AFLAS	Nitrile Hydrogenated Nitrile Fluorocarbon (Viton®) Fluorinated Copolymer (Aflast†)

Type R1 Ram (High Pressure)



Pressure Rating	3000 psi Rate Working Pressure	
Auxiliary Seal (back seal)	Single O-Ring	
Polished Rod Sizes (Options)	Seals on specific diameters: 1", 1 1/8", 1 1/4" and 1 1/2"	
Construction	Solid Steel Body:	provides reduced extrusion gap, thus a more positive seal against ram bore
	Seal Element: NACE MR-01-75:	floating, backed up by steel body Compliant
Sealing Material (Options)	NBR HSN/HNBR FKM AFLAS	Nitrile Hydrogenated Nitrile Fluorocarbon (Viton®) Fluorinated Copolymer (Aflast†)

Type R2 Ram* (Low Pressure with Blind Shut-Off**)



Pressure Rating	1500 psi Rate Working Pressure	
Auxiliary Seal (back seal)	Two O-Rings	
Polished Rod Sizes	Range of diameters: Blind to 1 1/2"	
Construction	Steel Reinforced Body:	provides reduced extrusion gap, thus a more positive seal against ram bore
	Seal Element: NACE MR-01-75:	bonded to steel reinforcement Compliant
Sealing Material (Options)	NBR HSN/HNBR FKM AFLAS	Nitrile Hydrogenated Nitrile Fluorocarbon (Viton®) Fluorinated Copolymer (Aflast†)

© Viton is a registered trademark of DuPont Dow Elastomers
 † Trademark of the Asahi Glass Company
 * Patented
 ** One-Time Emergency Use Only (In the event the polish rod breaks.)