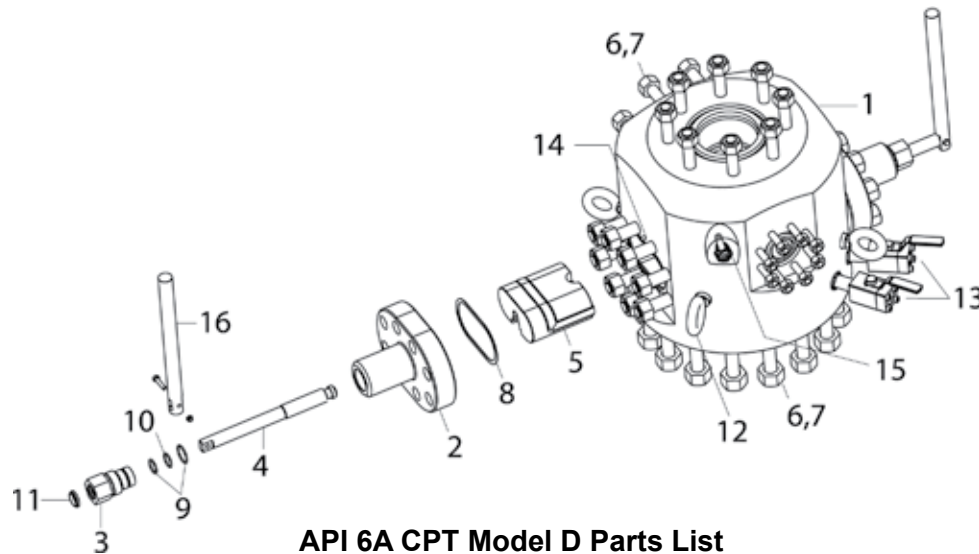


## 5" CPT Model D



**API 6A CPT Model D Parts List**

| No. | Part                 | No. | Part                        |
|-----|----------------------|-----|-----------------------------|
| 1   | Body                 | 9   | O-Ring (elastomer)          |
| 2   | End Cap              | 10  | O-Ring (PTFE)               |
| 3   | Gland Nut            | 11  | Wiper Seal                  |
| 4   | Ram Screw            | 12  | Top Drive Anchor            |
| 5   | Ram Assembly         | 13  | Injection Lines             |
| 6   | Stud                 | 14  | Alignment Pin               |
| 7   | Nut                  | 15  | I-Wire Exit                 |
| 8   | Metal Seal (end cap) | 16  | Handle (with bolt/lock nut) |

### Features:

- CPT is a combination tubing head adapter, BOP and flow tee
- solid compact design reducing overall height up to 50%, providing easier access to top drive units above
- no connection between the BOP and tubing head adapter thus eliminating the weak point found in traditional pumping tree assemblies

### Options:

- top drive anchors can be added to transfer loads from the PCP top drive to the tubing head
- two ports for fluid injection
- continuous instrumentation wire exit

### Components:

#### *Bottom Connection*

- generally a studded connection but is available flanged or clamp-hub
- connection sizes available to match all top connection sizes of the tubing head on which the CPT is to be mounted
- the CPT may be provided with a box thread to suspend the production tubing or a pocket to accept the extended neck of a tubing hanger

#### *Top Connection*

- generally a studded connection with an optional box thread for handling and is also available with flange or clamp-hub connections

#### *Horizontal Outlets*

- allow for the production flow of the unit and are typically studded but are available with flange, threads or clamp-hub connections

#### *BOP & Rams*

- anti-rotational oval shaped Type D ram with floating elastomeric seal
- pressure-balanced for easier operation
- metal seal end cap
- easily replaceable ram screw seals