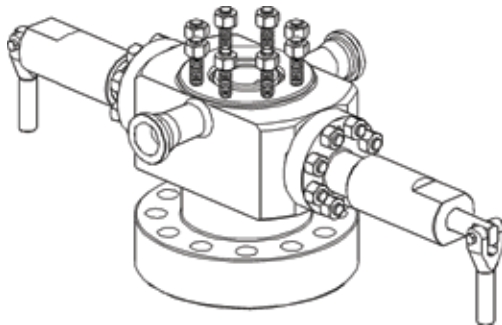
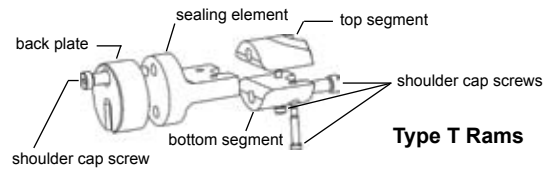


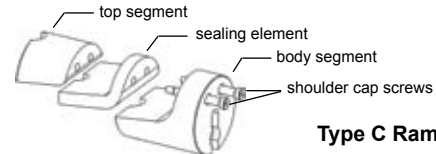
## CPT Model C, 3", 4" & 5" High Temperature



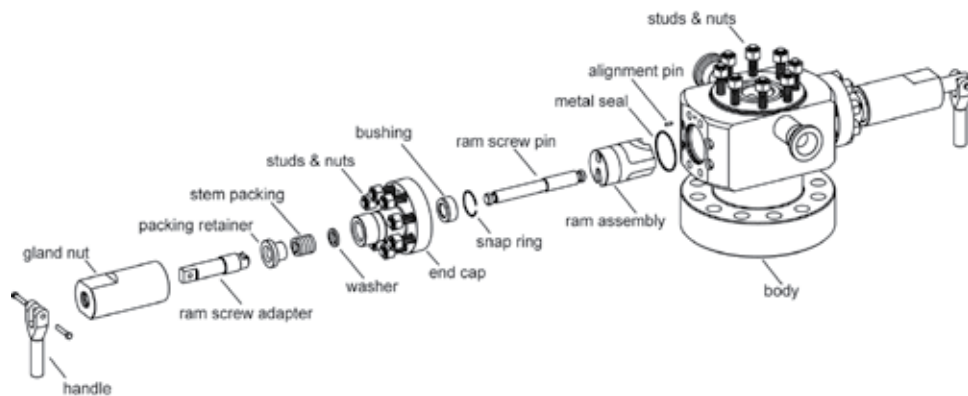
**Model C, 3" Nominal CPT**



**Type T Rams**



**Type C Rams**



**Model C, 3" Nominal CPT Exploded View**

### Features:

- CPT is a combination tubing head adapter, BOP and flow tee
- solid compact design reducing overall height by at least 50%, providing easier access to top drive units above
- no connection between the BOP and tubing head adapter thus eliminating the weak point found in traditional pumping tree assemblies
- designed for high temperature and steam applications to 650° F (343° C)
- sweet or sour service

### Components:

- |                           |  |
|---------------------------|--|
| <i>Bottom Connection</i>  | <ul style="list-style-type: none"> <li>• generally a studded connection but is available flanged or clamp-hub</li> <li>• connection sizes available to match all top connection sizes of the tubing head on which the CPT is to be mounted</li> <li>• the CPT may be provided with a box thread to suspend the production tubing or a pocket to accept the extended neck of a tubing hanger</li> </ul> |
| <i>Top Connection</i>     | <ul style="list-style-type: none"> <li>• generally a studded connection with an optional box thread for handling and is also available with flange or clamp-hub connections</li> </ul>   |
| <i>Horizontal Outlets</i> | <ul style="list-style-type: none"> <li>• allow for the production flow of the unit and are typically studded but are available with flange, threads or clamp-hub connections</li> </ul>  |
| <i>BOP &amp; Rams</i>     | <ul style="list-style-type: none"> <li>• two 4-piece Type T rams or two 3-piece Type C rams for 3" nominal</li> <li>• two 3-piece Type C rams for 5" nominal</li> </ul>  |