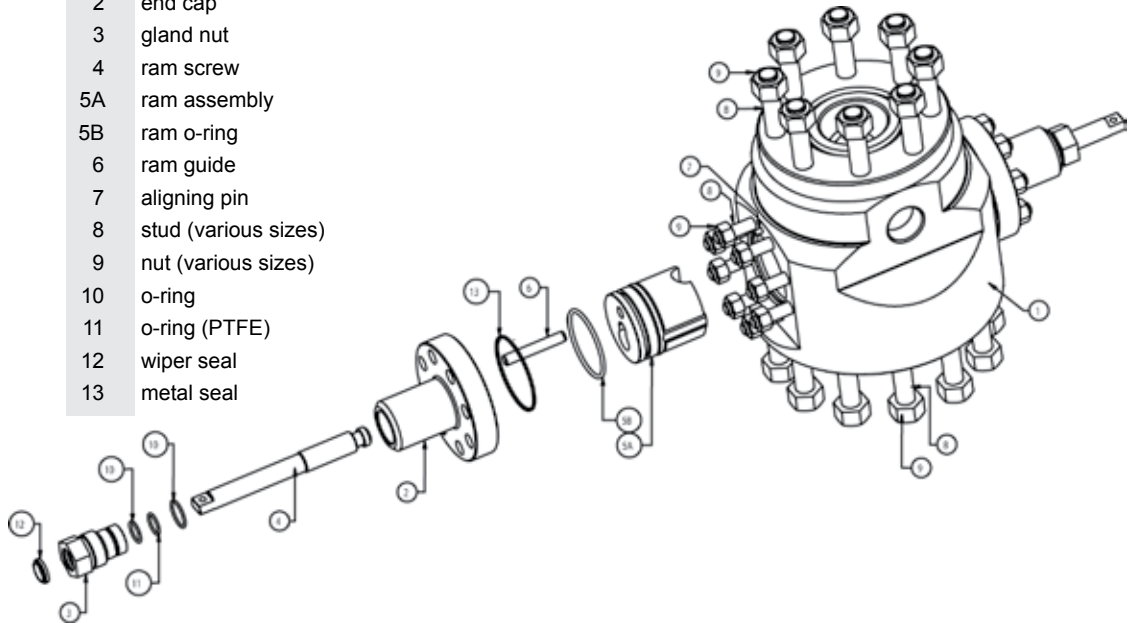


4" CPT Model B

Parts List

1	body
2	end cap
3	gland nut
4	ram screw
5A	ram assembly
5B	ram o-ring
6	ram guide
7	aligning pin
8	stud (various sizes)
9	nut (various sizes)
10	o-ring
11	o-ring (PTFE)
12	wiper seal
13	metal seal



Features:

- CPT is a combination tubing head adapter, BOP and flow tee
- solid compact design reducing overall height up to 50%, providing easier access to top drive units above
- no connection between the BOP and tubing head adapter thus eliminating the weak point found in traditional pumping tree assemblies.

Options:

- access through CPT to annular or production bores for injection tubing, instrumentation tubing or coil tubing service (de-sanding)
- hidden needle valve for subsurface control valves or other downhole equipment

Components:

- Bottom Connection**
- generally a studded connection but is available flanged or clamp-hub
 - connection sizes available to match all top connection sizes of the tubing head on which the CPT is to be mounted
 - the CPT may be provided with a box thread to suspend the production tubing or a pocket to accept the extended neck of a tubing hanger
- Top Connection**
- generally a studded connection with an optional box thread for handling; also available with flange or clamp-hub connections
- Horizontal Outlets**
- allow for the production flow of the unit and are typically studded but are available with flange, threads or clamp-hub connections
- Bop & Rams**
- Type B ram
 - pressure balance ram for easier operation
 - metal seal end cap
 - easily replaceable ram screw seals