

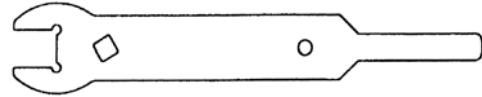


## Lock Open Devices

### External Lock Lever (Wrench)

To facilitate locking the clapper in the open position to allow the passage of pigs, spheres, inspection instruments, and/or for reverse flow.

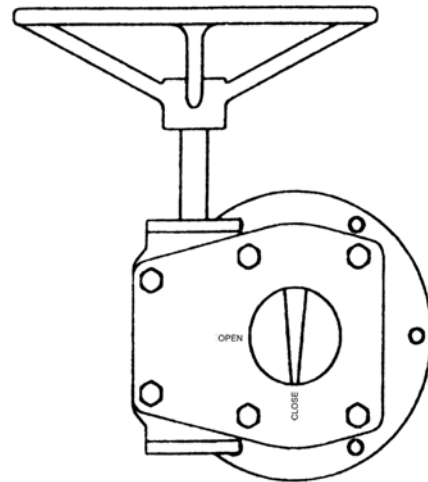
This external lock open device is used on smaller sized valves (2"-12") when the valve is in a water depth which does not exceed diver limitations.



### External Worm Gear Operator

To facilitate locking the clapper in the open position for passage of pigs, spheres, inspection instruments, and/or for reverse flow.

This external lock open device is used on larger size valves (16"-36") and some smaller valves to reduce the amount of weight a diver has to lift. This device is also limited to depths which do not exceed diver limitations.



### External Worm Gear with Remote Operated Vehicle (ROV)

To facilitate locking the clapper in the open position for passage of pigs, spheres, inspection instruments, and/or for reverse flow.

This external lock open device is used on larger size valves (16"-36") and some smaller valves to reduce the amount of weight a diver has to lift.

