

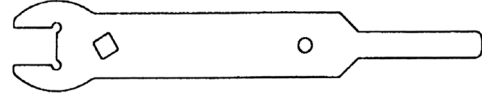


Lock Open Devices

External Lock Lever (Wrench)

To facilitate locking the clapper in the open position to allow the passage of pigs, spheres, inspection instruments, and/or for reverse flow.

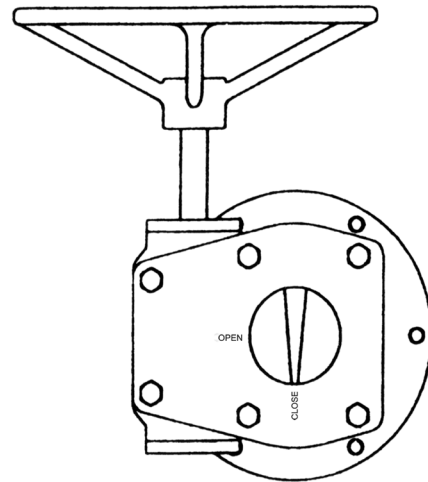
This external lock open device is used on smaller sized valves (2"-12") when the valve is in a water depth which does not exceed diver limitations.



External Worm Gear Operator

To facilitate locking the clapper in the open position for passage of pigs, spheres, inspection instruments, and/or for reverse flow.

This external lock open device is used on larger size valves (16"-36") and some smaller valves to reduce the amount of weight a diver has to lift. This device is also limited to depths which do not exceed diver limitations.



External Worm Gear with Remote Operated Vehicle (ROV)

To facilitate locking the clapper in the open position for passage of pigs, spheres, inspection instruments, and/or for reverse flow.

This external lock open device is used on larger size valves (16"-36") and some smaller valves to reduce the amount of weight a diver has to lift.

