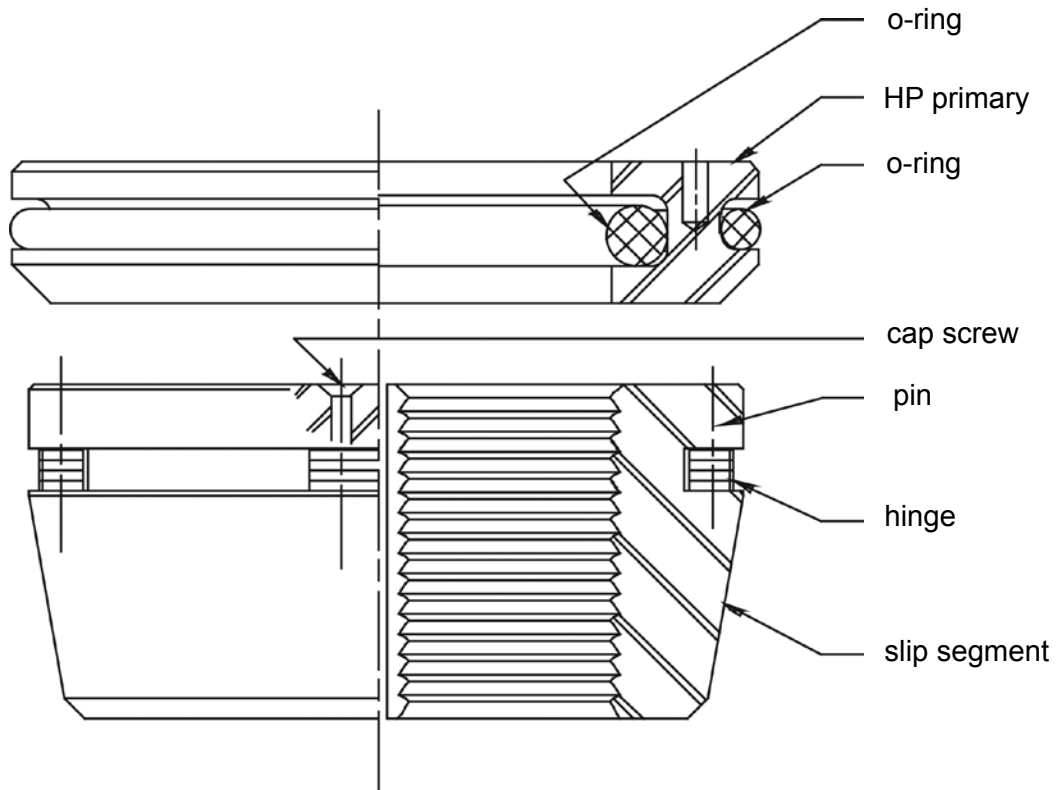


Type H Casing Slip and Primary Seal



Features:

- is a conventional or manual hanger
- no annulus seal
- should be used on shallow wells where casing weight is insufficient to energize an automatic seal
- H casing hanger and HP primary will fit in Crown H heads without lockscrews
- a separate HP primary packoff is required for an annulus seal
- can be installed only after BOP stack has been removed and casing riser has been cut and dressed