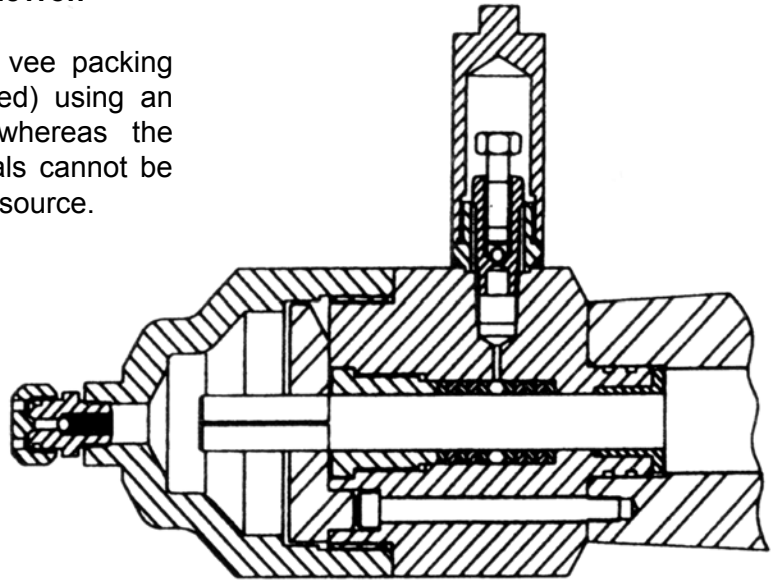




Gland Packing Types

Gland SP Standard PTFE “Chevron”

The standard “Chevron” type vee packing can be re-energized (recharged) using an injectable packing material whereas the PTFE spring energized lip seals cannot be re-energized using an external source.



Gland SP Spring Energized PTFE Lip Seals

This packing option uses an internal spring as well as line pressure to energize the PTFE material to achieve a shaft seal.

This style of packing does not require the injector and bleeder fittings.

