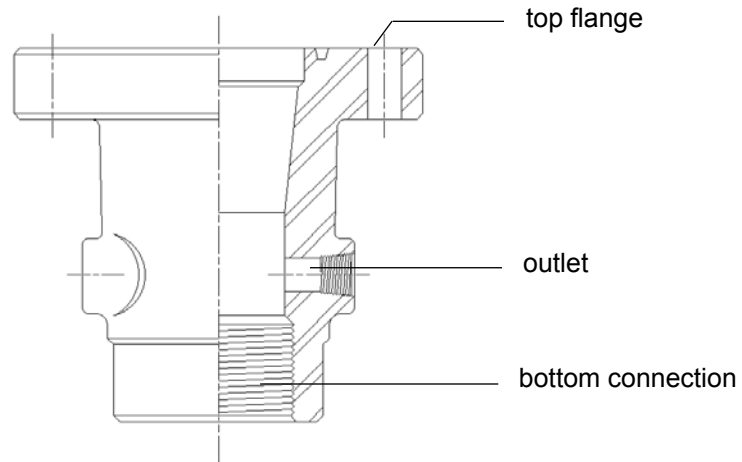


FJ Casing Head



The Crown FJ casing head is an economical unit for low pressure (2000 psi max) and shallow well service.

Main Design and Construction Features:

- Bottom Connection** • The standard bottom connection can be furnished with slip-on weld, female thread or male thread.
- Top Connection** • 7¹/₁₆" - 2000 and 3000 API flanged.
- Side Outlets** • The standard casing head has two 2" (50.8 mm) LP outlets.

Dimensional Data for Type FJ Casing Heads

Top Flange Size	WP	Bottom Connection	Outlets*	Min. Bore	Maximum Suspended Casing Size	Approx. Height	
7 ¹ / ₁₆	2000	7	2" LP	6 ⁷ / ₁₆	4 ¹ / ₂	14.1	in
179.4	13.8 MPa	177.8	50.8	161.9	114.3	358	mm

* Also available with extended flanged side outlets

When ordering Crown Casing Heads, please specify the following information:

- 1) Crown Model
- 2) Bottom Connection
 - a) Slip-on weld, female thread or male thread
 - b) Casing size
- 3) Top Connection
 - a) Flange size
 - b) Flange working pressure
- 4) Side Outlets
 - a) Threaded or flanged
 - b) Size
- 5) Standard or H₂S service
- 6) Equipment to be used off outlets
- 7) Options required
 - a) Lockdown screws
 - b) Landing base
- 8) PSL requirement
- 9) API material class
- 10) API temperature rating

Available to meet all appropriate API-6A requirements.