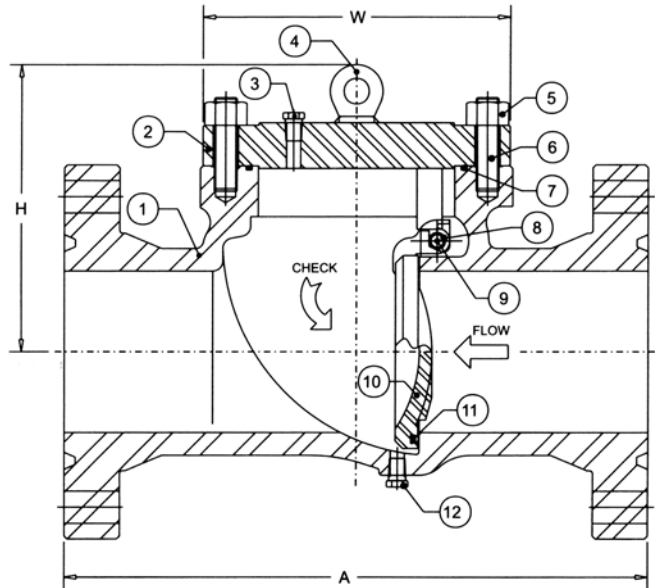




ANSI Class Flanged End Fig. 50 (RF) Fig. 51 (RTJ)



ANSI Class Flanged - Parts List

No.	Part	Material
1	Body ⁽¹⁾	ASTM A-216-WCB/WCC ⁽²⁾
2	Cover	ASTM A-516-70/ASTM A-105/ ASTM-350-LF2
3	Vent plug	ASTM A-105
4	Lifting eye/lug ⁽³⁾	ASTM A-105/A-516-70
5	Cover nut ⁽⁴⁾⁽⁵⁾	ASTM A-194-2H (2"-12") ⁽⁸⁾
6	Cover stud ⁽⁴⁾⁽⁵⁾	ASTM A-193-B7
7	Cover seal ⁽⁶⁾	BUNA N (2"-12") ⁽⁸⁾
8	Clapper bushing	stainless steel
9	Clapper pin	stainless steel
10	Clapper	ASTM A-105/ASTM A-350-LF2 ASTM A-487-4C/ASTM A-216-WCB ASTM A-351-CF8M ASTM A-352-LCC (8" and larger)
11	Clapper seal ⁽⁶⁾	BUNA N (2"-12") ⁽⁸⁾
12	Drain plug ⁽⁷⁾	ASTM A-105

Notes:

- (1) For some larger sizes, valve body is manufactured with welded on flanges.
- (2) ASTM A-352-LCC for low temperature service; ASTM A-487-4C for high pressure valves.
- (3) For valves 6" and larger.
- (4) For low temperature service (-50°F), material for stud/nut will be ASTM-A320-L7/A-194 Gr. 4.
- (5) For sour (NACE) service, material for stud/nut will be ASTM A-193-B7M/A-194-2HM for standard temperatures (-20°F) and ASTM A-320-L7M/A-194-7M for low temperatures (-50°F).
- (6) For sour (NACE) service, cover and clapper seal material will be Viton® or like material.
- (7) Optional drain plug is for valves 6" and larger.
- (8) Consult factory for 14" and larger.

Viton is a registered trademark of DuPont Dow Elastomers

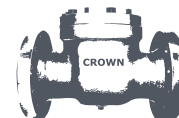


**ANSI Class Flanged End
Fig. 50 (RF) Fig. 51 (RTJ)**

Schedule of Dimensions

Valve Size in. (mm.)	ANSI Class	“A” in. (mm.)		“H” in. (mm.)	“W” in. (mm.)	Weight lbs. (kg.)
		Type 50(RF)	Type 51(RTJ)			
1 (25)	150	8.50 (215.9)*	8.50 (215.9)*	4.44 (112.8)	4.88 (123.9)	22 (10)
	300	8.50 (215.9)	8.50 (215.9)	4.44 (112.8)	4.88 (123.9)	25 (11)
	600	8.50 (215.9)	8.50 (215.9)	4.44 (112.8)	4.88 (123.9)	25 (11)
	900	10.00 (254.0)	10.00 (254.0)	4.75 (120.7)	5.88 (149.4)	39 (18)
	1500	10.00 (254.0)	10.00 (254.0)	5.00 (127.0)	5.88 (149.4)	39 (18)
1½ (38)	150	8.00 (203.2)*	8.00 (203.2)*	3.69 (93.7)	5.00 (127.0)	14 (6)
	300	8.88 (225.6)*	8.88 (225.6)*	3.69 (93.7)	6.13 (155.7)	22 (10)
	600	9.50 (241.3)	9.50 (241.3)	3.69 (93.7)	6.13 (155.7)	27 (12)
	900	12.00 (304.8)	12.00 (304.8)	4.38 (111.3)	7.00 (177.8)	32 (15)
2 (50)	150	8.00 (203.2)	8.50 (215.9)	5.53 (140.5)	6.13 (155.7)	36 (16)
	300	10.50 (266.7)	11.13 (282.7)	5.53 (140.5)	6.50 (165.1)	46 (21)
	600	11.50 (292.1)	11.63 (295.4)	5.53 (140.5)	6.50 (165.1)	47 (21)
	900	14.50 (368.3)	14.63 (371.6)	7.13 (181.1)	8.50 (215.9)	79 (36)
	1500	14.50 (368.3)	14.63 (371.6)	7.69 (195.3)	8.50 (215.9)	110 (50)
	2500	17.75 (450.9)	17.88 (454.2)	7.88 (200.2)	9.25 (234.9)	140 (64)
3 (80)	150	9.50 (241.3)	10.00 (254.0)	5.78 (146.8)	7.50 (190.5)	58 (26)
	300	12.50 (317.5)	13.13 (333.5)	6.03 (153.2)	8.25 (209.6)	76 (34)
	600	14.00 (355.6)	14.13 (358.9)	7.13 (181.1)	8.38 (212.8)	90 (45)
	900	15.00 (381.0)	15.13 (384.3)	7.50 (190.5)	9.50 (241.3)	110 (50)
	1500	18.50 (469.9)	18.63 (473.2)	8.63 (219.2)	10.50 (266.7)	165 (75)
	2500	22.75 (577.9)	23.00 (584.2)	9.50 (241.3)	12.00 (304.8)	205 (93)
4 (100)	150	11.50 (292.1)	12.00 (304.8)	7.44 (188.9)	9.13 (231.9)	88 (40)
	300	14.00 (355.6)	14.63 (371.6)	7.25 (184.2)	10.00 (254.0)	126 (57)
	600	17.00 (431.8)	17.13 (435.1)	8.13 (206.5)	10.75 (273.1)	161 (73)
	900	18.00 (457.2)	18.13 (460.5)	9.13 (231.9)	11.50 (292.1)	190 (86)
	1500	21.50 (546.1)	21.63 (549.4)	10.06 (255.5)	12.25 (311.2)	285 (129)
	2500	26.50 (673.1)	26.88 (682.8)	12.88 (327.2)	14.00 (355.6)	583 (265)
6 (150)	150	14.00 (355.6)	14.50 (368.3)	10.56 (268.2)	11.13 (282.7)	150 (68)
	300	17.50 (444.5)	18.13 (460.5)	11.06 (280.9)	12.50 (317.5)	210 (95)
	600	22.00 (558.8)	22.13 (562.1)	11.94 (303.3)	14.00 (355.6)	340 (154)
	900	24.00 (609.6)	24.13 (612.9)	12.50 (317.5)	15.00 (381.0)	400 (181)
	1500	27.75 (704.9)	28.00 (711.2)	14.31 (363.5)	15.50 (393.7)	525 (238)
8 (200)	150	19.50 (495.3)	20.00 (508.0)	14.25 (361.9)	14.00 (355.6)	285 (129)
	300	21.00 (533.4)	21.63 (549.4)	14.75 (374.7)	15.00 (381.0)	325 (147)
	600	26.00 (660.4)	26.13 (663.7)	15.25 (387.4)	16.50 (419.1)	570 (259)
	900	29.00 (736.6)	29.13 (739.9)	15.75 (400.1)	18.50 (469.9)	725 (329)
	1500	32.75 (831.9)	33.13 (841.5)	16.88 (428.8)	19.00 (482.6)	995 (451)
10 (250)	150	24.50 (622.3)	25.00 (635.0)	16.31 (414.3)	17.00 (431.8)	600 (272)
	300	24.50 (622.3)	25.13 (638.3)	16.31 (414.3)	17.50 (444.5)	750 (340)
	600	31.00 (787.4)	31.13 (790.7)	17.13 (435.1)	20.00 (508.0)	925 (420)
	900	33.00 (838.2)	33.13 (841.5)	17.88 (454.2)	21.50 (546.1)	1100 (499)
	1500	39.00 (990.6)	39.38 (1000.3)	23.44 (595.4)	26.88 (682.8)	1700 (771)

*Weight and dimensional information is for reference only and subject to change.
* Indicates dimensions not in*



ANSI Class Flanged End Fig. 50 (RF) Fig. 51 (RTJ)

Schedule of Dimensions

Valve Size in. (mm.)	ANSI Class	“A” in. (mm.)		“H” in. (mm.)	“W” in. (mm.)	Weight lbs. (kg.)
		Type 50(RF)	Type 51(RTJ)			
12 (300)	150	27.50 (698.5)	28.00 (711.2)	18.56 (471.4)	19.50 (495.3)	920 (417)
	300	28.00 (711.2)	28.63 (727.2)	19.31 (490.5)	20.50 (520.7)	1050 (476)
	600	33.00 (838.2)	33.13 (841.5)	20.13 (511.3)	22.00 (558.8)	1375 (624)
	900	38.00 (965.2)	38.13 (968.5)	20.75 (527.1)	24.00 (609.6)	1800 (817)
14 (350)	150	31.00 (787.4)	31.50 (800.1)	22.38 (568.5)	26.25 (666.8)	1500 (681)
	300	33.00 (838.2)	33.63 (854.2)	22.38 (568.5)	26.25 (666.8)	1750 (794)
	600	35.00 (889.0)	35.13 (892.3)	22.38 (568.5)	26.25 (666.8)	2200 (998)
	900	40.50 (1028.7)	40.88 (1038.4)	23.94 (608.1)	28.63 (727.2)	2500 (1134)
	1500	49.50 (1257.3)	50.25 (1276.4)	26.94 (684.3)	31.88 (809.8)	3350 (1520)
16 (400)	150	34.00 (863.6)	34.50 (876.3)	19.19 (487.4)	26.63 (676.4)	1600 (726)
	300	34.00 (863.6)	34.50 (876.3)	20.50 (520.7)	26.63 (676.4)	1800 (817)
	600	39.00 (990.6)	39.13 (993.9)	24.25 (615.9)	29.50 (749.3)	2400 (1089)
	900	44.50 (1130.3)	44.88 (1139.9)	25.75 (654.1)	31.75 (806.5)	2700 (1225)
18 (450)	150	38.50 (977.9)	39.00 (990.6)	24.63 (625.6)	26.00 (660.4)	1800 (816)
	300	38.50 (977.9)	39.13 (993.9)	24.63 (625.6)	26.00 (660.4)	2200 (998)
	600	43.00 (1092.2)	43.13 (1095.5)	24.88 (631.9)	27.00 (685.8)	3000 (1361)
20 (500)	150	38.50 (977.9)	39.00 (990.6)	26.69 (677.9)	30.75 (781.1)	2978 (1351)
	300	40.00 (1016.0)	40.75 (1035.1)	25.25 (641.4)	30.50 (774.7)	3127 (1419)
	600	47.00 (1193.8)	47.25 (1200.2)	28.13 (714.5)	32.00 (812.8)	4624 (2098)
	900	52.00 (1320.8)	52.50 (1333.5)	32.50 (825.5)	38.25 (971.6)	5635 (2557)
24 (600)	150	51.00 (1295.4)	51.50 (1308.1)	30.44 (773.2)	35.75 (908.1)	4280 (1941)
	300	53.00 (1346.2)	53.88 (1368.6)	33.63 (854.2)	36.00 (914.4)	4630 (2101)
	600	55.00 (1397.0)	55.38 (1406.7)	33.63 (854.2)	37.00 (939.8)	6750 (3062)
	900	61.00 (1549.4)	61.75 (1568.5)	37.31 (947.7)	41.25 (1047.8)	8100 (3675)
26 (650)	150	51.00 (1295.4)	consult factory	36.63 (930.4)	43.25 (1098.6)	consult factory
	300	53.00 (1346.2)	54.00 (1371.6)	36.63 (930.4)	43.25 (1098.6)	consult factory
	600	57.00 (1447.8)	57.50 (1460.5)	38.13 (968.5)	43.25 (1098.6)	consult factory
30 (750)	150	60.00 (1524.0)	consult factory	39.50 (1003.3)	45.00 (1143.0)	consult factory
	300	62.75 (1593.9)	63.75 (1619.3)	39.50 (1003.3)	45.00 (1143.0)	consult factory
	600	65.00 (1651.0)	65.50 (1663.7)	41.38 (1051.1)	45.00 (1143.0)	12360 (5608)
	900	68.00 (1727.2)	68.88 (1749.6)	43.88 (1114.6)	49.50 (1257.3)	17260 (7831)
36 (900)	150	77.00 (1955.8)	consult factory	46.44 (1179.6)	55.50 (1409.7)	consult factory
	300	82.00 (2082.8)	consult factory	46.44 (1179.6)	55.50 (1409.7)	consult factory
	600	82.00 (2082.8)	82.63 (2098.8)	48.63 (1235.2)	55.50 (1409.7)	20720 (9401)
	900	86.25 (2190.8)	87.38 (2219.5)	52.81 (1341.4)	63.38 (1609.8)	consult factory
42 (1050)	150	97.25 (2470.2)	consult factory	58.13 (1476.5)	66.13 (1679.7)	consult factory
	300	97.25 (2470.2)	consult factory	58.13 (1476.5)	66.13 (1679.7)	consult factory
	600	97.25 (2470.2)	consult factory	58.13 (1476.5)	66.13 (1679.7)	31870 (14460)
48 (1200)	150	106.00 (2692.4)	consult factory	62.75 (1593.9)	70.00 (1778.0)	consult factory
	300	106.00 (2692.4)	consult factory	62.75 (1593.9)	70.00 (1778.0)	consult factory
	600	106.00 (2692.4)	consult factory	62.75 (1593.9)	70.00 (1778.0)	consult factory

Order without notice. Weights and dimensions can be confirmed at time of order.
in accordance with ANSI B16.10.



**Head Office and
Manufacturing Facility**

4505 - 74 Avenue
Edmonton Alberta Canada T6B 2H5
Tel 780.468.6789
Fax 780.469.7724

**Stream-Flo USA Inc.
Valve Business Unit**

12777 Jones Road Suite 332
Houston Texas USA 77070
Tel 832.912.1022
Fax 832.912.1151

Canadian Sales

400 Bow Valley Square One
202 - 6 Avenue SW
Calgary Alberta Canada T2P 2R9
Tel 403.269.5531
Fax 403.266.3307

**Canadian Sales, Service
& Distribution Centres**

Brooks AB	403.362.7600
Edson AB	780.712.5505
Estevan SK	306.634.4719
Fort McMurray AB	780.743.0744
Fort Nelson BC	250.775.6789
Fort St. John BC	250.785.9500
Grande Prairie AB	780.532.1433
Rainbow Lake AB	780.956.3655
Red Deer AB	403.346.2550
Slave Lake AB	780.849.6100

International Sales

The Woodlands Texas USA	281.296.1640
Kilgore Texas USA	903.983.2992
Granbury Texas USA	817.573.8015
Fort Worth Texas USA	903.353.1830
Indonesia	62.21.7918.1234
UAE	971.2.676.0130
Algeria	213.29.738.910
United Kingdom	353.87.798.3582

**www.streamflo.com
info@streamflo.com**