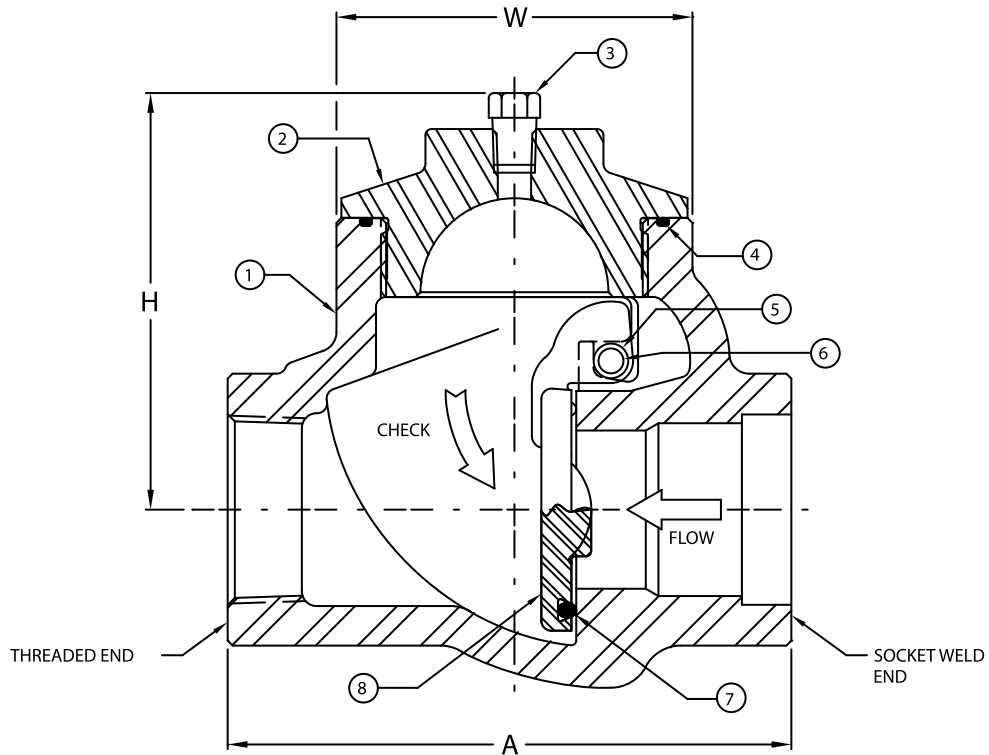


**Threaded End/Socket Weld End
Fig. 10 - Series 1000/ Fig. 71 - Series 7100**

Designed and Manufactured
in accordance with ASME B16.34



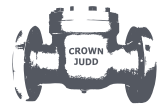
Parts List

No.	Part	Material
1	Body	ASTM A216-WCB / WCC ⁽¹⁾⁽²⁾
2	Cap	ASTM A216-WCB / WCC ASTM A105 ⁽¹⁾⁽²⁾
3	Pipe Plug ⁽³⁾	ASTM A105 ⁽¹⁾
4	Cap Seal	Viton® or like material ⁽⁴⁾
5	Clapper Bushing	Stainless Steel
6	Clapper Pin	Stainless Steel
7	Clapper	ASTM A351-CF8M
8	Clapper Seal	Viton® or like material ⁽⁴⁾

Notes:

- (1) ASTM A352-LCC / ASTM A350-LF2 for low temperature service
- (2) ASTM A351-CF8M or ASTM A351-CF3M for corrosive service
- (3) For valves NPS 2" & larger
- (4) HSN for low temperature service

Viton® is a registered trademark of DuPont Dow Elastomers



Threaded End/Socket Weld End
Fig. 10 - Series 1000/Fig. 71 - Series 7100

Designed and Manufactured
in accordance with ASME B16.34

Table with 6 columns: Valve Size Inch (mm), ASME Class, 'A' Inch (mm), 'H' Inch (mm), 'W' Inch (mm), Weight lbs (kg). Rows include valve sizes 1/2, 3/4, 1, 1 1/2, and 2 inches with various ASME classes and dimensions.

Weight and dimensional information for reference only and subject to change without notice.
Weights and dimensions can be confirmed at time of order.