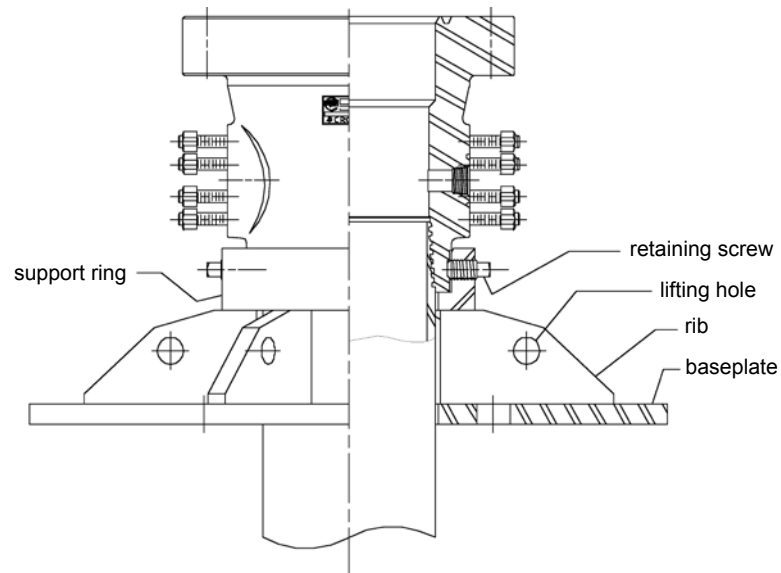


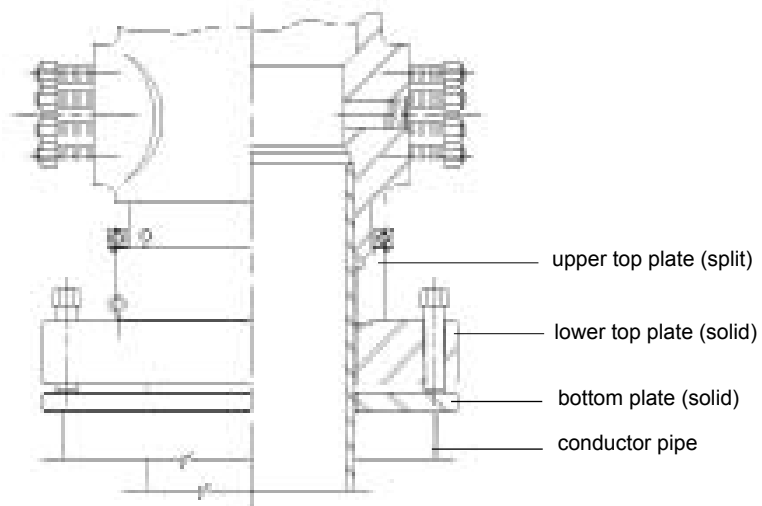
FA Landing Base



Features:

- slip-on or threaded bottom
- field attachment to landing base
- attached to casing head by retaining screws
- consists of support ring, retaining screws, ribs and landing plate welded together as an assembly

FAA Landing Base



Features:

- landing base consists of bottom ring, lower top ring, upper top plate
- field assembly of landing base
- no welding to casing head
- load transfer by direct contact