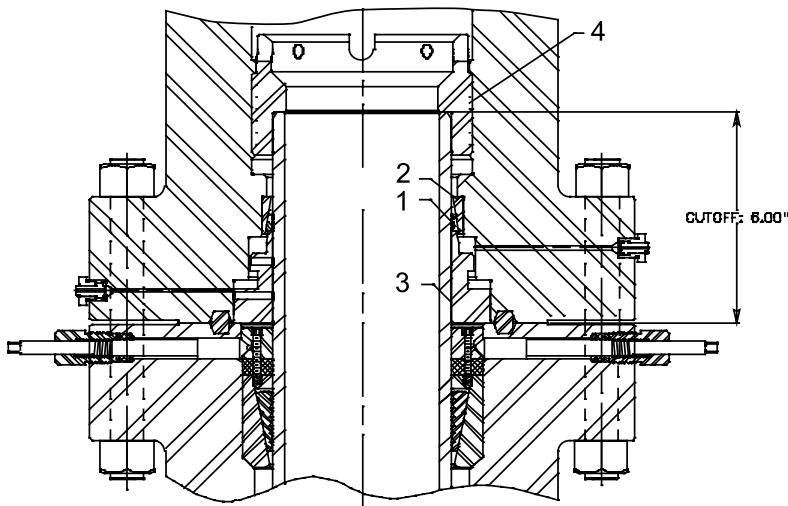
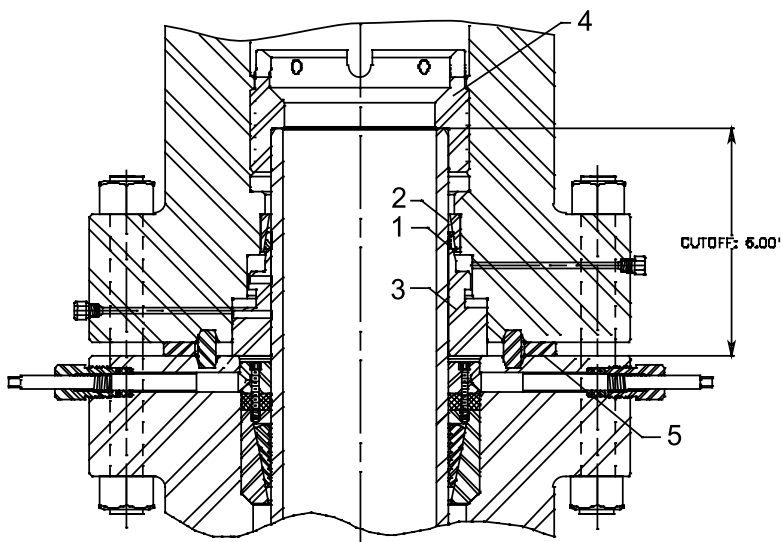


## Type DR1



DR1 Secondary Seal with BX Gasket



DR1 Secondary Seal with RX Gasket

### Type DR1 Secondary Seal Parts List

1	Seal Ring
2	Seal Sleeve
3	Bottom Ring
4	Bit Guide
5	Spacer Ring

The Crown type DR1 Secondary Packoff is used to seal around the casing stub in the bottom flange of a head and is designed for use in critical service, high/low temperature or high-pressure environments where a metal seal is required.

This packoff is able to seal on casing strings without requiring any machining or special preparation of the casing.

The packoff comes complete with a removable bit guide used to protect the casing. After installation of the head, this bit guide is also used to restrain the vertical movement of the casing to ensure that the positive contact between the seal and casing is maintained.

When assembled with a flange using an RX gasket, a spacer ring is used to ensure proper gasket make-up and to maintain the stackup tolerances required for the metal seal secondary.

This style of packoff is designed for use above a standard CU universal head; if used above a CC-22 or CC-29 casing head, a packoff flange has to be used to provide support for the metal seal.