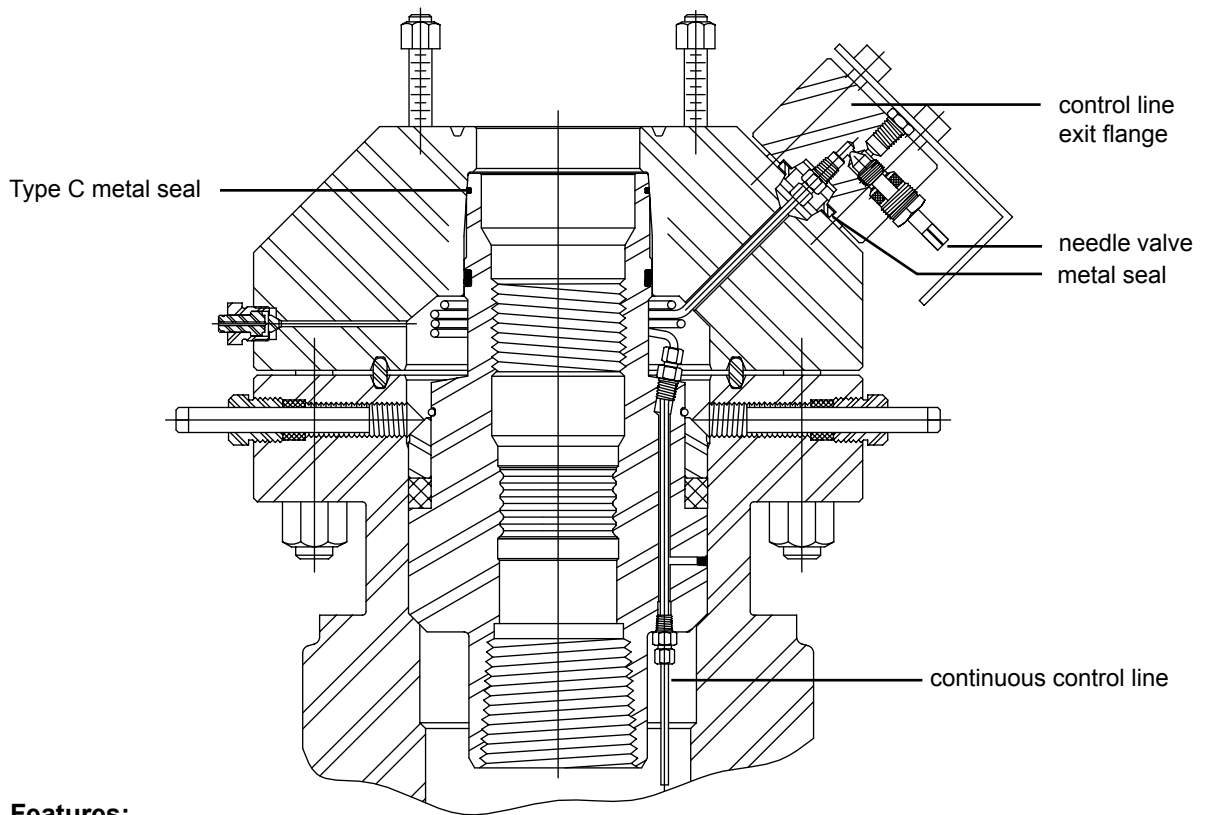


CTC-1AEC Tubing Hanger



Features:

- metal seal extended neck
- optional continuous control line and control line exit flange
- compression style annulus seal
- available to 15,000 psi
- Type C metal seal features controlled interference for elastic pressure energized metal seals

This hanger fits in the standard CTC or CTCM tubing head and uses a compression-style body seal energized by lockscrews. Other seals are available for the hanger body seals. The extended neck employs the Type C extended neck metal seal and is energized with adapter flange studs. Lift threads can be conventional tubing threads for service up to 5000 psi or straight modified centralizing Acme for 10,000

psi service, and lockscrews can be either Type A or Type P. The same hanger is available as a CU-1AEC to fit 9" and larger hanger bowls.

The DHSV control line allows for continuous tubing to be threaded through the hanger and locked into the adapter. An exit flange with metal seals and hidden needle valve is available.

When ordering Crown Tubing Hangers, please specify the following information:

- | | |
|-------------------------|--|
| 1. Crown model | 4. single or dual completion |
| 2. bottom connection | 5. with or without subsurface valve control line port(s) |
| a) size and thread type | 6. standard or H ₂ S service |
| b) tubing weight | 7. material class |
| 3. top connection | 8. BPV thread requirement |
| a) size and thread type | 9. extended neck requirement |
| b) tubing weight | 10. PSL requirement |

Available to meet all appropriate API-6A requirements.