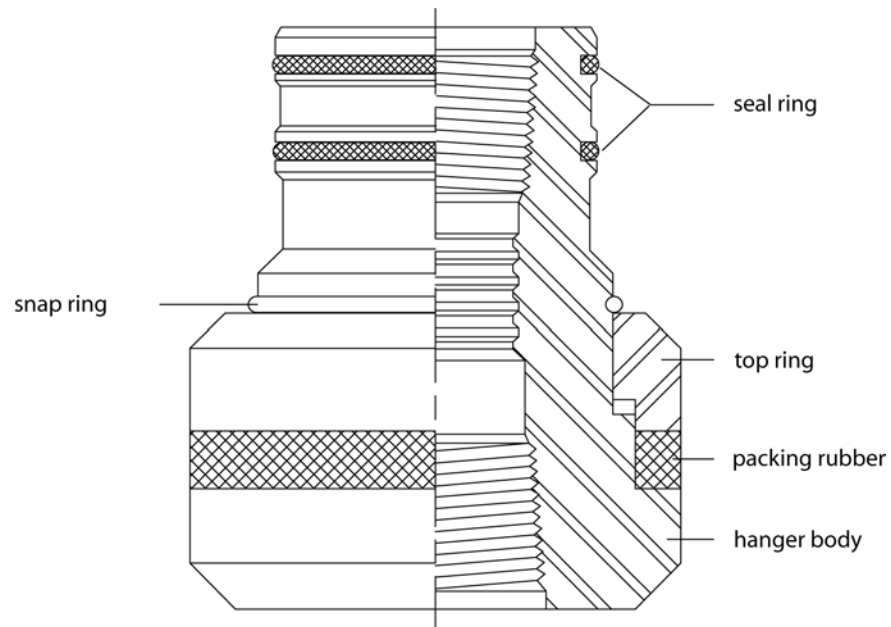
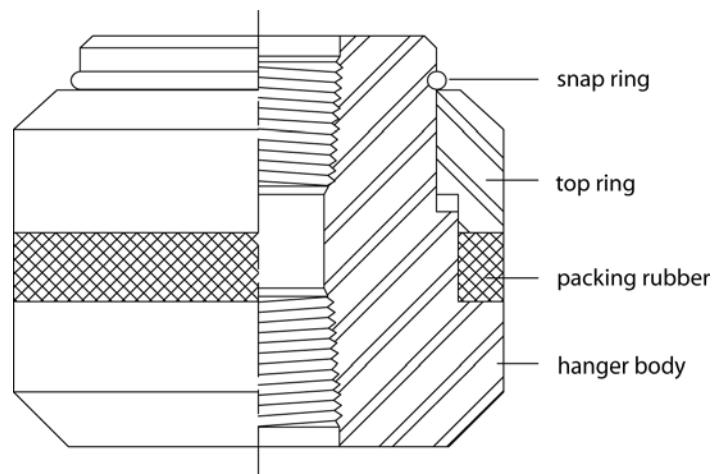


Types CTC1A-EN, CTC1B



The Crown CTC1A-EN tubing hanger is an extended-neck mandrel hanger with compression type packoff and comes with or without back pressure valve preparation. Seal rings on the extended neck seals off in the tubing head adapter flange. A variety of seal rings are available depending on the desired application.



The CTC1B threaded hanger is a mandrel tubing hanger with compression-type packoff, available with or without back pressure valve thread.