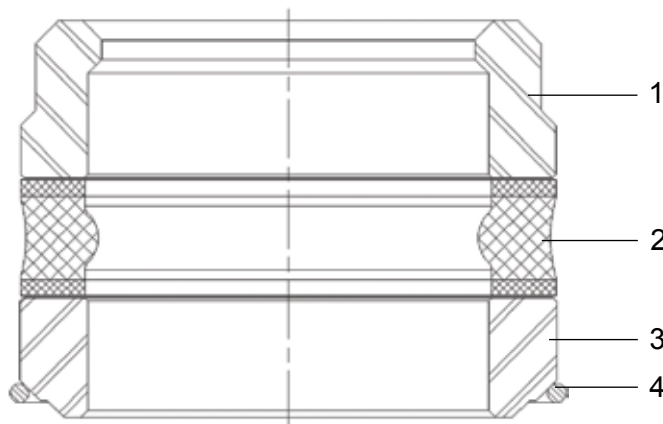


Type CPS



Type CPS Secondary Seal Parts List

1	Top Junk Ring or Bit Guide
2	Packing Rubber
3	Bottom Junk Ring
4	Snap Ring

The Crown Type CPS Secondary Seal is a pressure energized seal assembly consisting of a bit guide, packing, bottom ring and snap ring. This secondary seal is intended for a 6" casing cut-off and will fit into any Crown tubing head, casing head, or packoff flange with a Type CP secondary profile.

The bit guide is designed to guide the drill bit through the assembly, protecting the upper surface of the casing on the way in.

The packing rubber has a unique shape which allows it to seal pressure from either direction. On the inside of the packoff, a tapered lead-in allows for easy installation over the casing. Once installed,

a large lobe contacts the casing, while a concave outer profile allows the seal to flex outward (behind the lobe) and maintain the appropriate squeeze to energize the seal. The interference between the casing and the lobe in turn energizes the seal on the outer surface. This flexible seal is designed to accommodate variations of casing outer diameters, eccentricities, and out of roundness.

In addition, the packoff contains stainless steel wire mesh anti-extrusion rings integrally molded into the top and bottom regions, making the seal effective in sweet or sour service, high pressure, and high temperature applications.