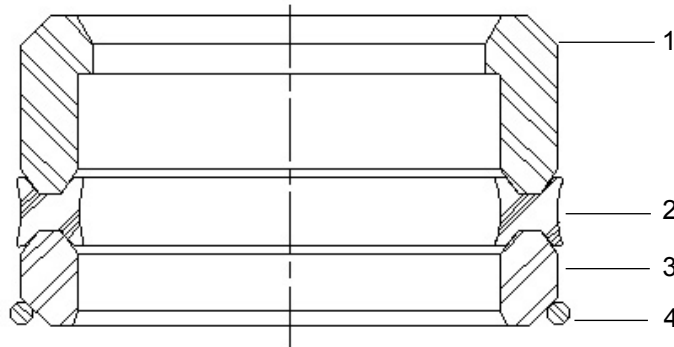


Type CPA



Type CPA Secondary Seal Parts List

1	Top Ring or Bit Guide
2	Packing Rubber
3	Bottom Ring
4	Snap Ring

The Crown Type CPA Secondary Seal is a pressure energized seal assembly, consisting of a bit guide, packing, bottom ring and snap ring. This seal is intended for a 4" casing cut-off. The CPA Secondary Seal will fit into any tubing head or casing head or packoff flange with a Type CP secondary profile.

The packing rubber seals pressure from either side. The interference in the packing rubber generates an initial seal.

When pressure is encountered from the bottom, as in field pressure test, the entire assembly moves upward until the bit guide hits a support shoulder in the head or packoff

flange. The reaction between the shoulder and the pressure generates a greater interference which results in sealing off any pressure trying to get by the rubber.

When pressure is encountered from above, the entire assembly moves downward until it reaches the snap ring. The reaction between the snap ring and the pressure generates a greater interference, which results in sealing off any pressure trying to get by the rubber.

The bit guide is designed to guide the drill bit through the assembly when the bit is lowered through it. The inside shoulder protects the upper edge of the casing.