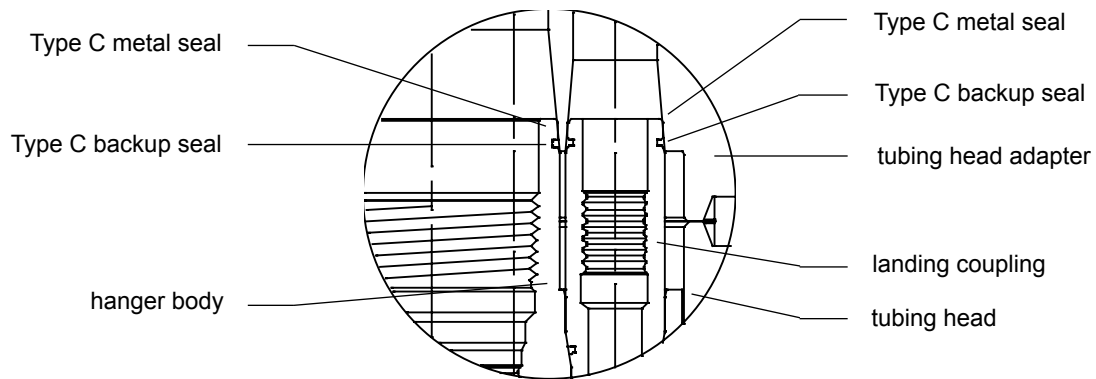
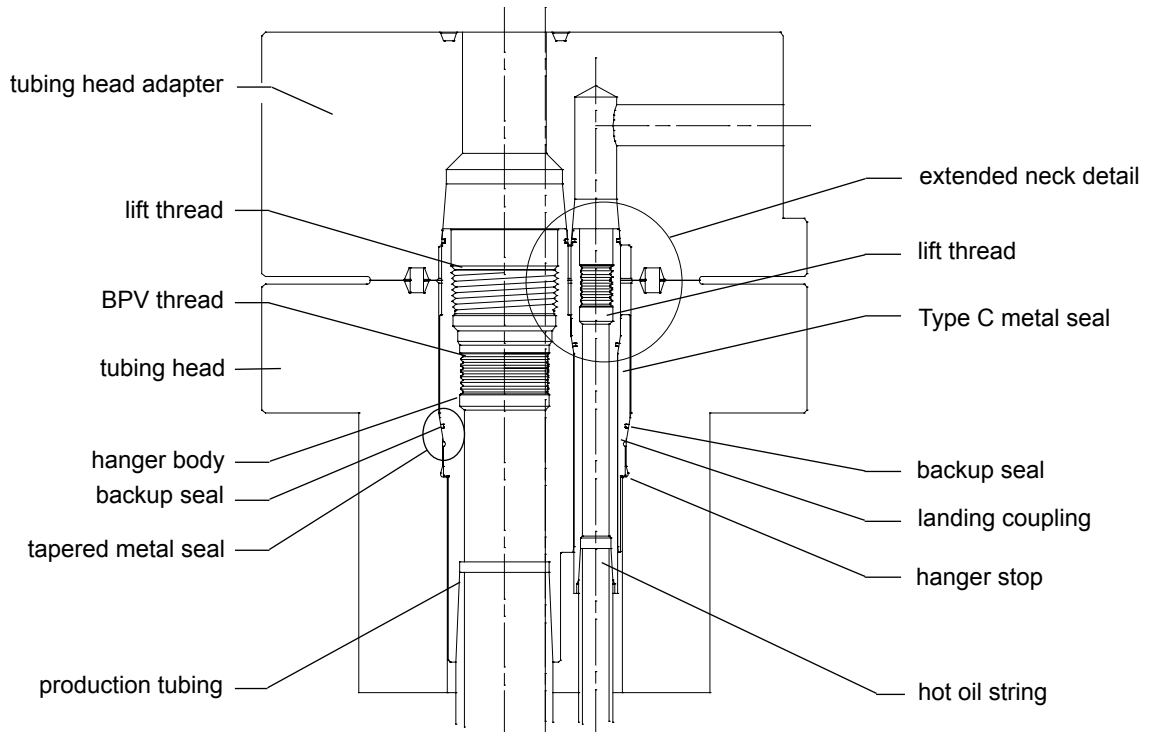


Type CMC Metal Seal Tubing Hanger



extended neck detail

Features:

- space-sensitive design
- full metal seals
- pressure energized metal sealing on extended necks
- high pipe load
- up to 15,000 psi working pressure
- -75° F to 650° F

This is a multiple completion mandrel hanger with tapered metal seals on a hanger body and has extended necks. It is available for high pipe loads, high operating pressures and operating temperatures from -75° F to 650° F. This hanger also incorporates full metal seals and is suitable for tight fits.