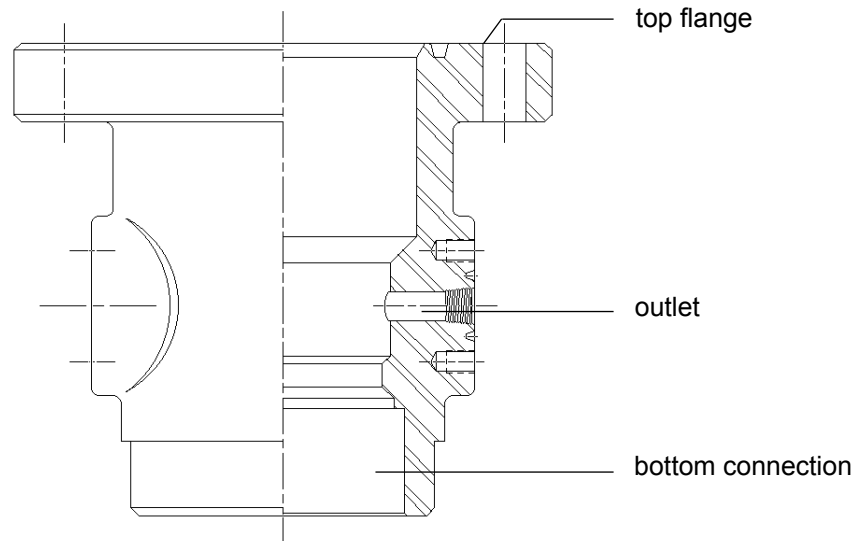


CC-29 Casing Head



The Crown CC-29 casing head has a straight, deep bore design to accommodate the Crown CC-29 high-load automatic casing hanger. This straight bore design reduces possible damage to seal areas by drilling tools and prevents test plugs from wedging when pressure is applied.

If a bowl protector is required, the Crown CC-29-BP design is recommended. It has

two lock screws in the top flange to retain the bowl protector. A hold-down flange with lock screws can be furnished for use on CC-29 casing heads.

The CC-29-L has multiple lockdown screws in the top flange to be used for retaining a mandrel hanger or bowl protector.

Main Design and Construction Features:

- Bottom Connection** • The standard bottom connection is a slip-on weld or female casing thread. Other connections available are slip lock or male casing thread.
- Top Connection** • The top connection of a Crown casing head is an API 6A flange. A clamp-hub connection is available.
- Side Outlets** • The standard casing head has two 2¹/₁₆" API studded side outlets. Threaded, extended flanged or clamp hub outlets are also available. The studded and flanged outlets have valve removal threads. Combinations of outlet types are available.



CC-29 Casing Head

Dimensional Data for CC-29 Casing Heads

Top Flange Size	WP	Bottom Connection	Outlets*	Minimum Bore	Maximum Suspended Casing Size	Approx. Height	
11	2000	8 ⁵ / ₈	2 ¹ / ₁₆ " SSO	8	7	20.6	in
279.4	13.8 MPa	219.1	52.4	203.2	177.8	523	mm
11	3000	8 ⁵ / ₈	2 ¹ / ₁₆ " SSO	8	7	20.6	in
279.4	20.7 MPa	219.1	52.4	203.2	177.8	523	mm
11	5000	8 ⁵ / ₈	2 ¹ / ₁₆ " SSO	8	7	21.6	in
279.4	34.5 MPa	219.1	52.4	203.2	177.8	549	mm
11	2000	9 ⁵ / ₈	2 ¹ / ₁₆ " SSO	9	7 ⁵ / ₈	20.6	in
279.4	13.8 MPa	244.5	52.4	228.6	193.7	523	mm
11	3000	9 ⁵ / ₈	2 ¹ / ₁₆ " SSO	9	7 ⁵ / ₈	20.6	in
279.4	20.7 MPa	244.5	52.4	228.6	193.7	523	mm
11	5000	9 ⁵ / ₈	2 ¹ / ₁₆ " SSO	9	7 ⁵ / ₈	21.6	in
279.4	34.5 MPa	244.5	52.4	228.6	193.7	549	mm
11	2000	10 ³ / ₄	2 ¹ / ₁₆ " SSO	9.9	8 ⁵ / ₈	20.6	in
279.4	13.8 MPa	273.0	52.4	254.0	219.1	523	mm
11	3000	10 ³ / ₄	2 ¹ / ₁₆ " SSO	9.9	8 ⁵ / ₈	20.6	in
279.4	20.7 MPa	273.0	52.4	254.0	219.1	523	mm
11	5000	10 ³ / ₄	2 ¹ / ₁₆ " SSO	9.9	8 ⁵ / ₈	21.6	in
279.4	34.5 MPa	273.0	52.4	254.0	219.1	549	mm
13 ⁵ / ₈	2000	11 ³ / ₄	2 ¹ / ₁₆ " SSO	11	9 ⁵ / ₈	20.5	in
346.1	13.8 MPa	298.4	52.4	279.4	244.5	521	mm
13 ⁵ / ₈	3000	11 ³ / ₄	2 ¹ / ₁₆ " SSO	11	9 ⁵ / ₈	20.5	in
346.1	20.7 MPa	298.4	52.4	279.4	244.5	521	mm
13 ⁵ / ₈	2000	13 ³ / ₈	2 ¹ / ₁₆ " SSO	12 ¹ / ₂	9 ⁵ / ₈	20.5	in
346.1	13.8 MPa	339.7	52.4	317.5	244.5	521	mm
13 ⁵ / ₈	3000	13 ³ / ₈	2 ¹ / ₁₆ " SSO	12 ¹ / ₂	9 ⁵ / ₈	20.5	in
346.1	20.7 MPa	339.7	52.4	317.5	244.5	521	mm
13 ⁵ / ₈	5000	13 ³ / ₈	2 ¹ / ₁₆ " SSO	12 ¹ / ₂	9 ⁵ / ₈	21.6	in
346.1	34.5 MPa	339.7	52.4	317.5	244.5	549	mm
16 ³ / ₄	2000	16	2 ¹ / ₁₆ " SSO	15 ¹ / ₄	10 ³ / ₄	20	in
425.5	13.8 MPa	406.4	52.4	387.4	273.0	508	mm
16 ³ / ₄	3000	16	2 ¹ / ₁₆ " SSO	15 ¹ / ₄	10 ³ / ₄	20	in
425.5	20.7 MPa	406.4	52.4	387.4	273.0	508	mm
16 ³ / ₄	5000	16	2 ¹ / ₁₆ " SSO	15 ¹ / ₄	10 ³ / ₄	20	in
425.5	34.5 MPa	406.4	52.4	387.4	273.0	508	mm
21 ¹ / ₄	2000	20	2 ¹ / ₁₆ " SSO	19 ³ / ₁₆	13 ³ / ₈	20.4	in
539.8	13.8 MPa	508.0	52.4	487.4	339.7	518	mm
20 ³ / ₄	3000	20	2 ¹ / ₁₆ " SSO	19 ³ / ₁₆	13 ³ / ₈	20.4	in
527.1	20.7 MPa	508.0	52.4	487.4	339.7	518	mm

* Also available with flanged or LP side outlets

When ordering Crown Casing Heads, please specify the following information:

<ol style="list-style-type: none"> 1) Crown Model 2) Bottom Connection <ol style="list-style-type: none"> a) Slip-on weld, female thread or male thread b) Casing size 3) Top Connection <ol style="list-style-type: none"> a) Flange or Clamp hub b) Size c) Working pressure 4) Side Outlets <ol style="list-style-type: none"> a) Threaded or studded b) Size 	<ol style="list-style-type: none"> 5) Standard or H₂S service 6) Equipment to be used off outlets 7) Options required <ol style="list-style-type: none"> a) Lockdown screws b) Landing base 8) PSL requirement 9) API material class 10) API temperature rating
--	---

Available to meet all appropriate API-6A requirements.