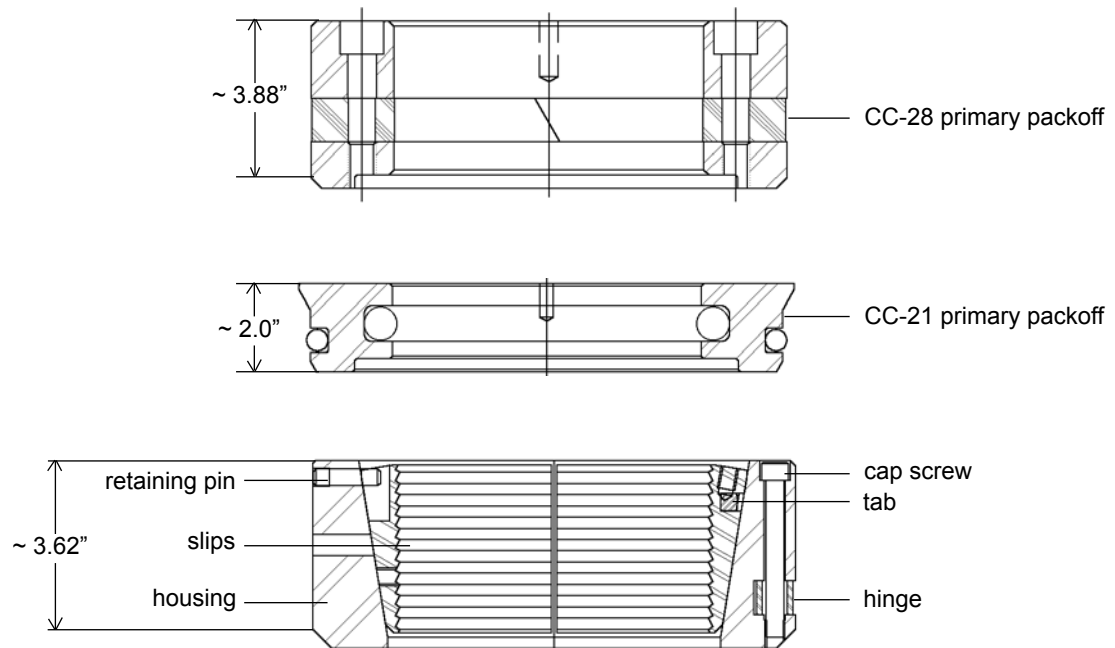


## Crown Casing Slip Model CC-21N



### Features:

- Designed for moderate load and moderate pressure applications (with CC-21 or CC-28 primary packoff)
- API Group I casing hanger
- Will fit in Crown CC-22 and CC-29 casing heads or in Crown CU universal heads
- Slips are fully supported by housing
- May be used with CC-21 primary packoff when installed in CC-22 heads
- May be used with CC-28 primary packoff when installed in CC-29 heads

The CC-21N casing hanger is a wraparound hanger and can therefore be installed under or through the BOP stack. It does not have an integral annulus seal. A seal must be achieved using the separate Crown CC-21

or CC-28 primary packoff assemblies. The slips have a tapered back that matches the taper on the inside of the slip housing. As the slips are loaded by casing weight, they are drawn downward and forced inward.

*When ordering Crown Casing Hangers, please specify the following information:*

- 1) *Crown Model*
- 2) *Casing Head model and size*
- 3) *Production Casing size, depth, weight and grade*
- 4) *Manual or Automatic type*
  - a) *For Manual type, specify if a Primary Seal is required*
- 5) *PSL requirement*

*Available to meet all appropriate API-6A requirements.*