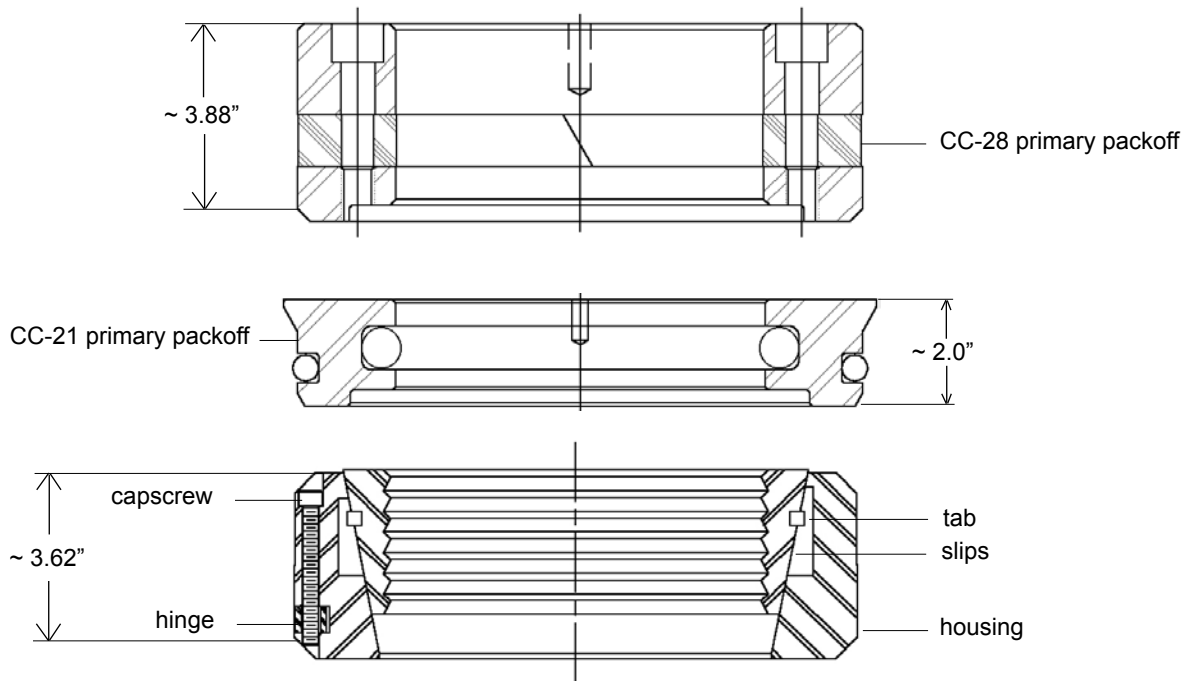


**Crown Casing Slip Model CC-21**



**Features:**

- Designed for moderate load and moderate pressure applications (with CC-21 or CC-28 primary packoff)
- API Group I casing hanger
- Will fit in Crown CC-22 and CC-29 casing heads or in Crown CU universal heads
- May be used with CC-21 primary packoff when installed in CC-22 heads
- May be used with CC-21 or CC-28 primary packoff when installed in CC-29 heads
- Available from 9" to 20" bowl
- All casing sizes available

The CC-21 casing hanger is a wraparound hanger and can therefore be installed under or through the BOP stack. It does not have an integral annulus seal. A seal must be achieved using the separate Crown CC-21

or CC-28 primary packoff assemblies. The slips have a tapered back that matches the taper on the inside of the slip housing. As the slips are loaded by casing weight, they are drawn downward and forced inward.

*When ordering Crown Casing Hangers, please specify the following information:*

- |  |   |
|--|---|
| 1) Crown Model                                     | 4) Manual or automatic type                               |
| 2) Casing Head model and size                      | a) For manual type, specify if a primary seal is required |
| 3) Production casing size, depth, weight and grade | 5) PSL requirement  |

*Available to meet all appropriate API-6A requirements.*