



Crown Combination Bottom Hole Test

Adapters and Tees

FTT, FTF

The FTT and FTF provide either a threaded or flanged tee along with a bottom hole test adapter in one unit. The FTF provides a combination threaded and flanged tee. The tee is furnished with a lift thread under the cap assembly.

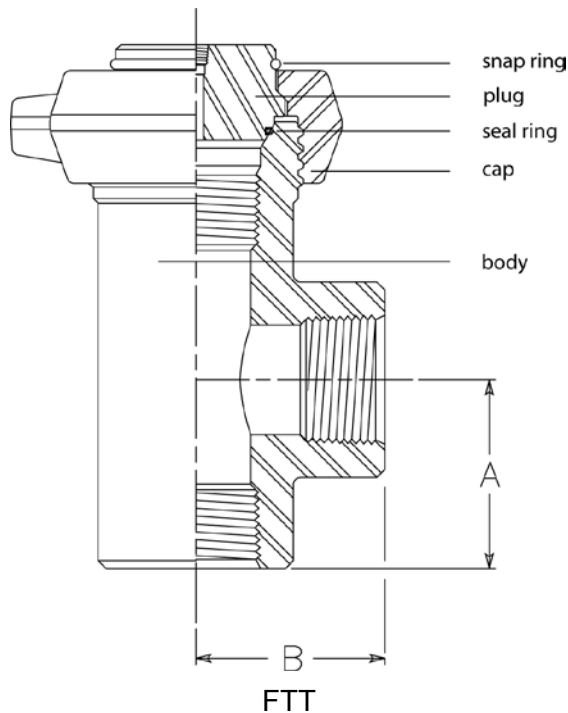


Table of Dimensions

Size	A	B
2 3/8 EU x 2 LP	4.00	3.56
2 7/8 EU x 2 LP	4.00	3.56
3 1/2 EU x 2 LP	4.75	3.12

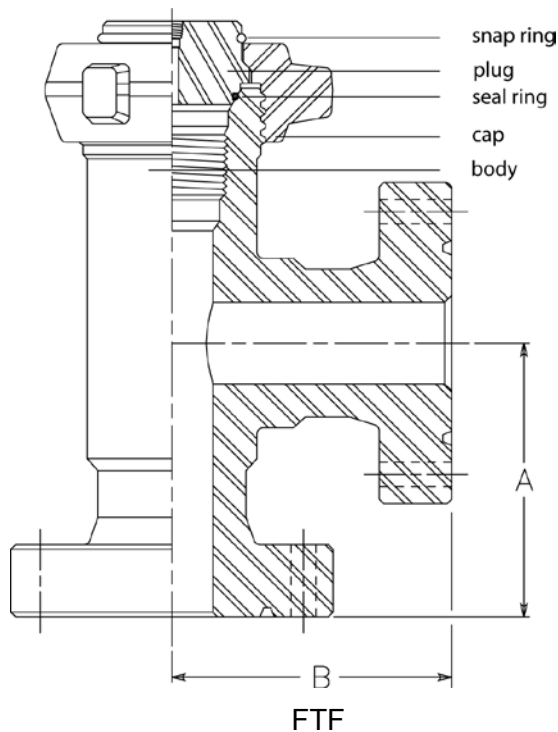


Table of Dimensions

Size	A	B
2 1/16 - 2000 x 2 1/16 - 2000	6.44	6.00
2 1/16 - 5000 x 2 1/16 - 5000	7.50	7.06
2 9/16 - 2000 x 2 1/16 - 2000	6.69	6.00
2 9/16 - 5000 x 2 1/16 - 5000	7.44	7.06