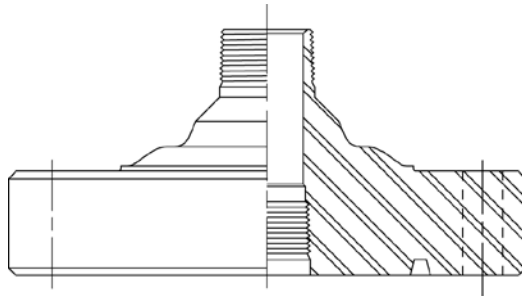
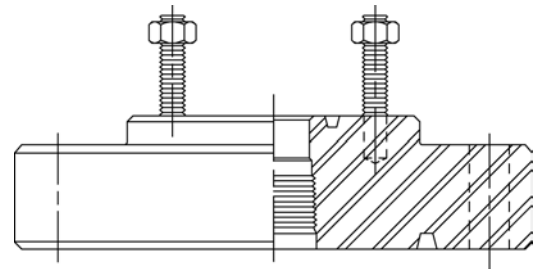


Tubing Head Adapters

Type A male threaded tubing head adapter has an internal thread preparation in the bottom for tubing and a vertical bore larger than the tubing. Type A-2 studded tubing head adapter has an internal thread preparation in the bottom for tubing and a vertical full-open bore.



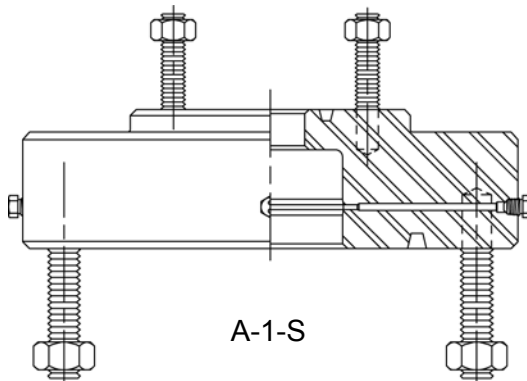
A



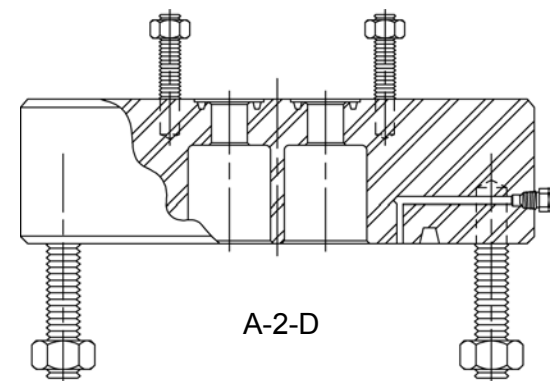
A-2

A-1-S and A-2-D Extended Neck Hanger Adapters

The A-1-S and A-2-D adapters are available to fit various types of Crown extended neck tubing hangers for either single or dual completion. The adapter is also available with downhole control line preparation.



A-1-S



A-2-D