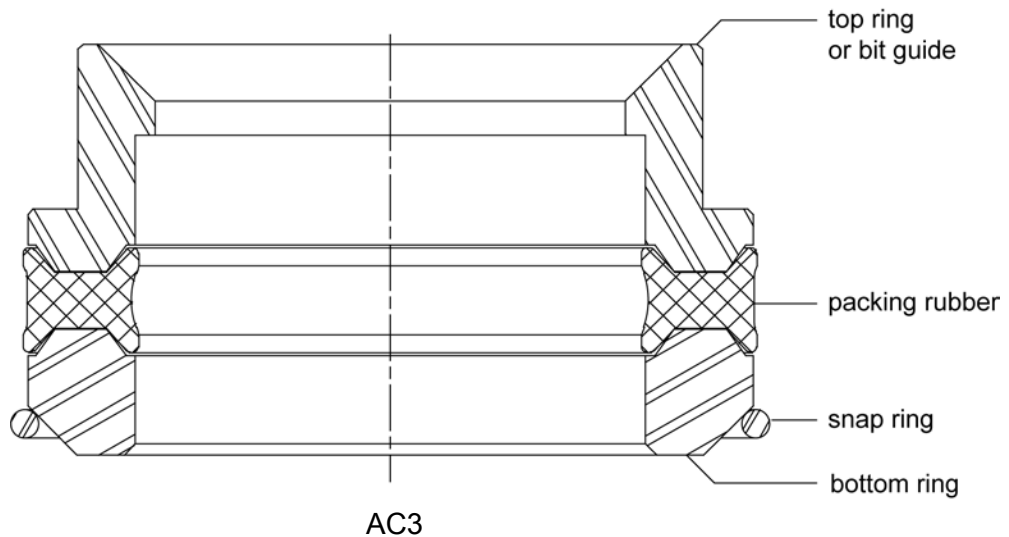


## Type AC3 & AC10



The Crown Type AC3 and AC10 secondary seals are pressure-energized seal assemblies consisting of a bit guide, packing, bottom ring and snap ring. This secondary seal is intended for either 3.75" (AC3) or 5.75" (AC10) casing cut-off and will fit into any tubing head or casing head or packoff flange with the matching secondary profile.

The bit guide or top ring is designed to guide the drill bit through the seal assembly when the bit is lowered through it. The inside shoulder protects the upper edge of the casing.

The packing is a lip-type rubber seal that is self-energizing and seals pressure from either side.

The entire seal assembly is held in the head by the snap ring.

