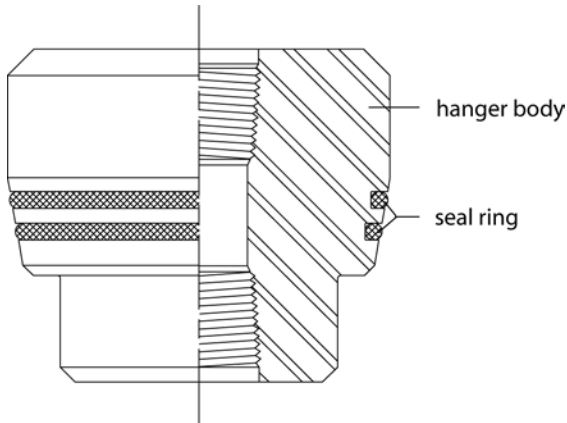
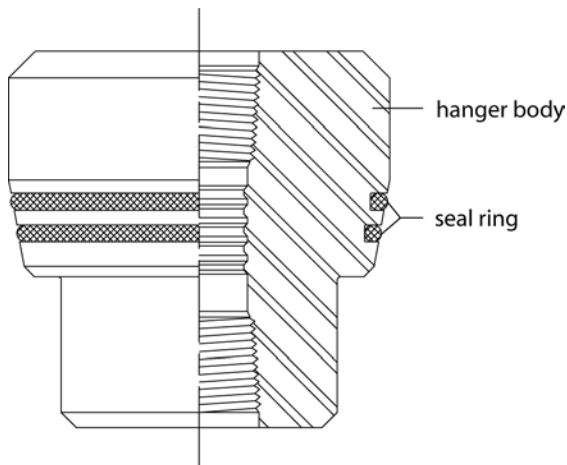
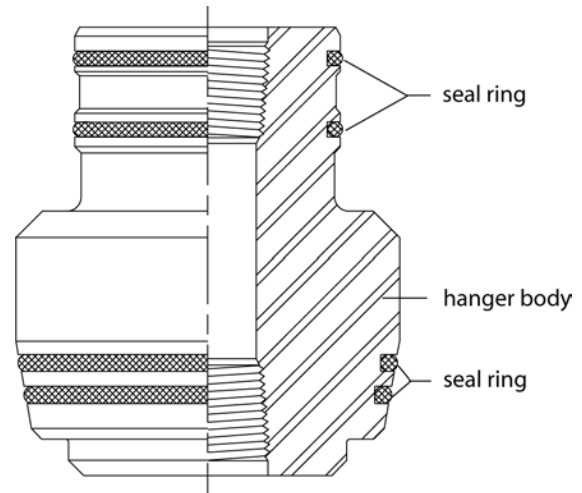


Types A1, A2, BA-1, BA-2



The Crown Type A1 is a threaded mandrel hanger with self-energized seal rings for annulus packoff. A variety of seal rings are available depending on the desired application.

The Crown Type A2 is an extended neck mandrel hanger with self-energized seal rings for annulus packoff. A secondary set of seal rings in the extended neck seals off in the tubing head adapter.



The BA-1 is similar to the Type A hanger with the addition of back pressure valve threads.

The BA-2 is similar to the Type A2 with the addition of back pressure valve threads.

